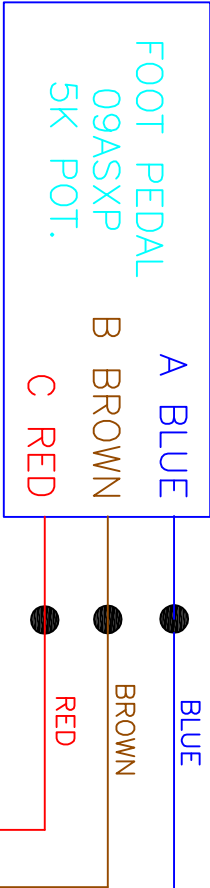
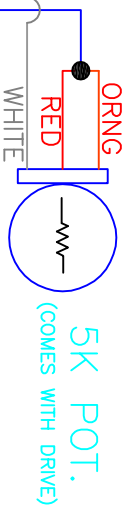
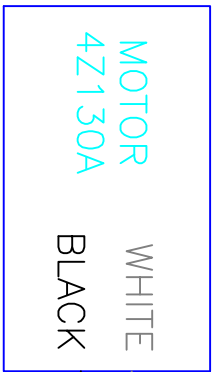
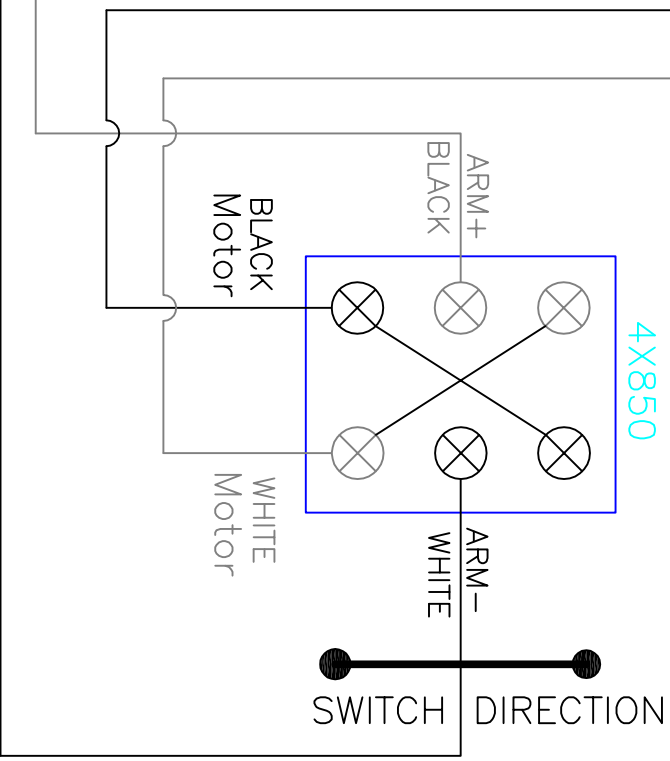
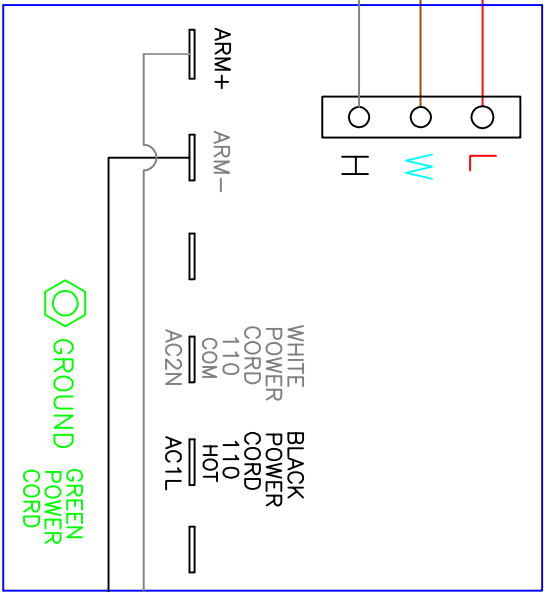


REVISION	DATE	BY	DESCRIPTION
A	1/8/24	ZTN	CHANGED WIRE COLORS AND JUMPERS



DC POWER SUPPLY
MODEL 5J558



FWD IS CCW
FACING SHAFT

.X	= ± .015	24" -90V-DC-BEADROLLER	
.XX	= ± .010	TITLE: ELECTRICAL - SCHEMATIC	
.XXX	= ± .005	DATE: 4/18/12	DR. BY: DWL
FRACTION	= ± .015	SHEET SIZE: A	UNITS: INCHES
		SCALE: NONE	NO. 200-044

MB MILLER BROS. 10 COOPERATIVE WAY
WRIGHT CITY, MD 63390
(636) 745-7757
MACHINE & TOOL