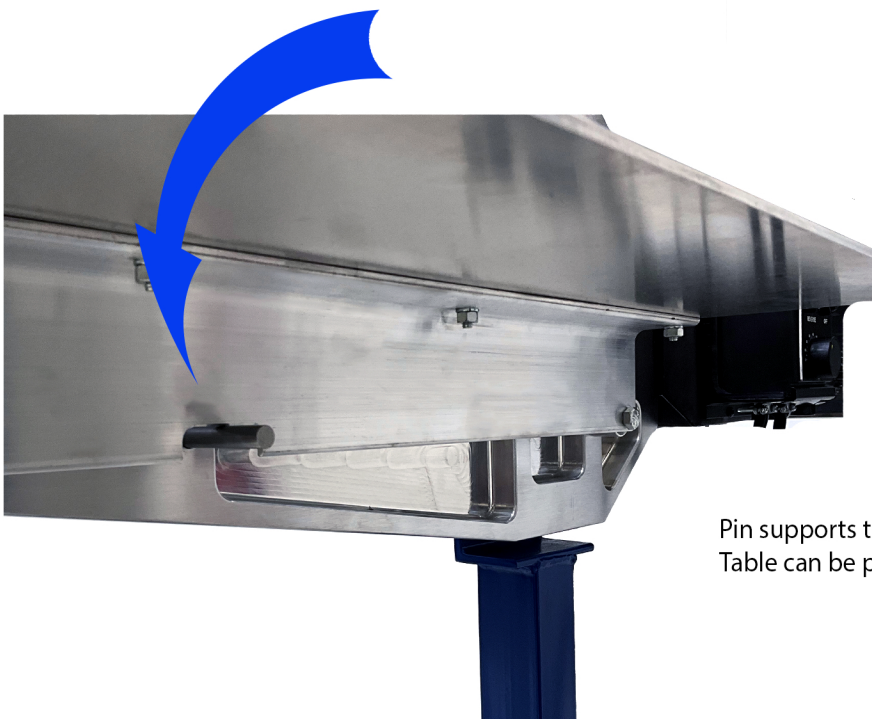
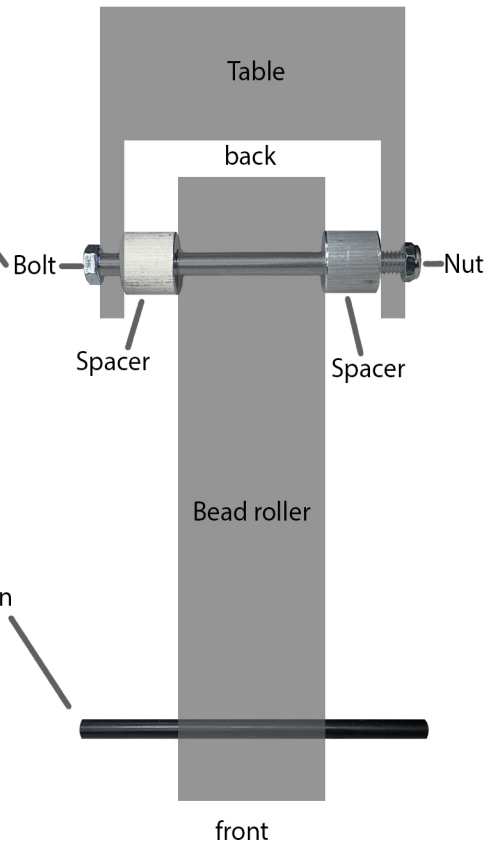


Bead roller table assembly



Pin supports table at notch in a working position.
Table can be pivoted up or down to save space by removing pin.