

FIGURE 1
OPTION WITH BASE PLATE

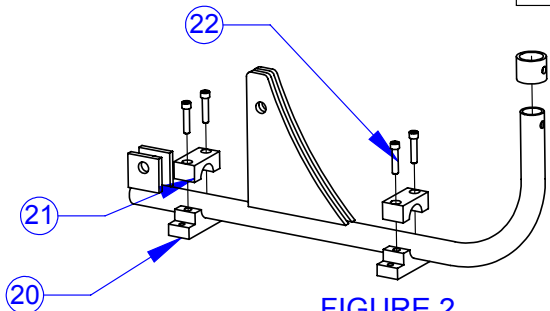


FIGURE 2
OPTION WITH ALUMINUM FEET

FIGURE 1 - OPTION WITH BASE PLATE

ITEM NO.	PART NUMBER	DESCRIPTION	QTY
1	2700-A008-12	Lower Frame	1
2	2700-023	Frame Base Plate	1
3	2700-A009-12	Upper Frame	1
4	2700-021	Center Clamp Block	1
5	2700-020	Clamp Block	1
6	2700-501	Pneumatic Hammer	1
7	HX-SHCS .375-16X3X1.5-N	3/8-16 x 3	4
8	HNUT .3775-16-D-N	3/8-16 Nylock Nut	4
9	2700-503	Air Regulator	1
10	2700-505	Air Fitting	1
11	2700-506	1/4" Air Hose, 8 ft	1
12	2700-510	Right Hand Rod End	1
13	2700-511	Left Hand Rod End	1
14	2700-019	Adjuster Lock	1
15	2700-006-12	Height Adjuster	1
16	HBOLT .5-13X1.75X1.25-N	1/2-13 x 1-3/4	3
17	HNUT .5-13-D-N	1/2-13 Nylock Nut	3
18	2700-508	Set Screw 5/16-18x1/2	1
19	Foot Pedal Assembly		
	2700-027	Foot Plate	1
	2700-500	NTP Pipe Plug, 1/4"	2
	2700-504	Valve, Pedal, & Manifold	1
	2700-505	Air Fitting	1
	2700-507	Exhaust Muffler	2
	SHCS 1/4-28 x 1-1/4	1/4-28 x 1-1/4	2
	1/4" Flat Washer	1/4" Flat Washer	2

FIGURE 2 - OPTION WITH ALUMINUM FEET

ITEM NO.	PART NUMBER	DESCRIPTION	QTY.
20	2700-007-1	Bottom Mounting Block	2
21	2700-007-2	Top Mounting Block	2
22	HX-SHCS .25-20X1.125	1/4-20 x 1.125	4

**MB MITTLER BROS.
MACHINE & TOOL**
10 Cooperative Way, Wright City, MO. 63390
(636)745-7757 Fax (636)745-2874

TITLE:
Planishing Hammer 12"

SIZE	DWG. NO.	REV
A	2700-A01-E	A

SCALE: 1:12 | WEIGHT: 34.626 | SHEET 1 OF 1

REV A 1/28/2010