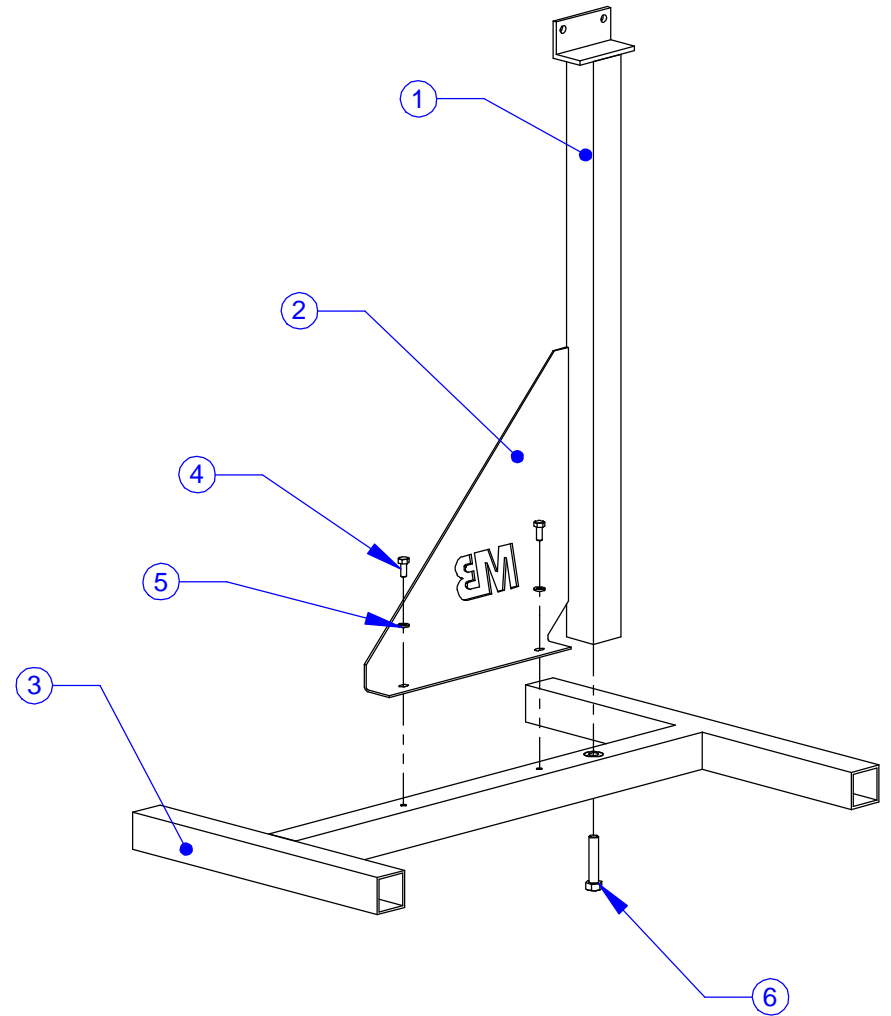
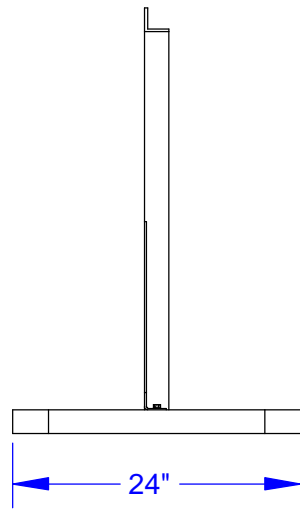
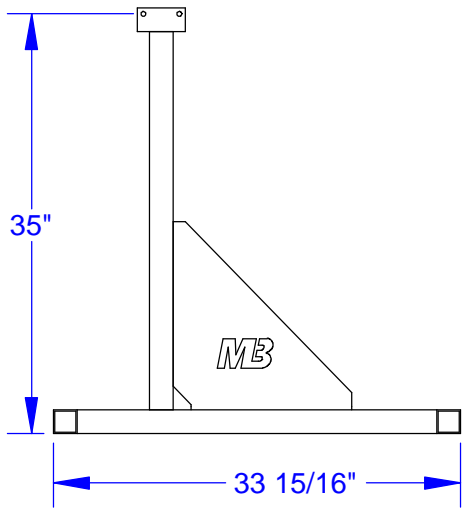


ITEM NO.	PART NUMBER	QTY.
1	Upright Assembly	1
2	Gusset	1
3	H-Frame	1
4	HEX BOLT 5/16-18x0.75	2
5	Spring Lock Washer	2
6	HEX BOLT 1/2-13x2.5	1



FITS ALL BEAD ROLLERS

PROPRIETARY AND CONFIDENTIAL
 THE INFORMATION CONTAINED IN THIS DRAWING IS THE SOLE PROPERTY OF MITTLER BROS. MACHINE & TOOL. ANY REPRODUCTION IN PART OR AS A WHOLE WITHOUT THE WRITTEN PERMISSION OF MITTLER BROS. MACHINE & TOOL IS PROHIBITED.

		UNLESS OTHERWISE SPECIFIED:		NAME	DATE	MB MITTLER BROS. MACHINE & TOOL 10 Cooperative Way, Wright City, MO. 63390 (636)745-7757 Fax (636)745-2874	
		DIMENSIONS ARE IN INCHES		DRAWN	BAB		11/23/11
		TOLERANCES:		CHECKED			
		FRACTIONAL ±.015		ENG APPR.			
		ONE PLACE DECIMAL ±.015		MFG APPR.			
		TWO PLACE DECIMAL ±.010		Q.A.			
		THREE PLACE DECIMAL ±.005		COMMENTS			
		ANGULAR ±1°					
		QUANTITY				TITLE:	
		MATERIAL				H-Frame Bead Roller Stand	
		FINISH				SIZE DWG. NO. REV	
NEXT ASSY	USED ON					A 200-031 A	
APPLICATION		DO NOT SCALE DRAWING				SCALE: 1:10 WEIGHT: 34.438 SHEET 2 OF 2	