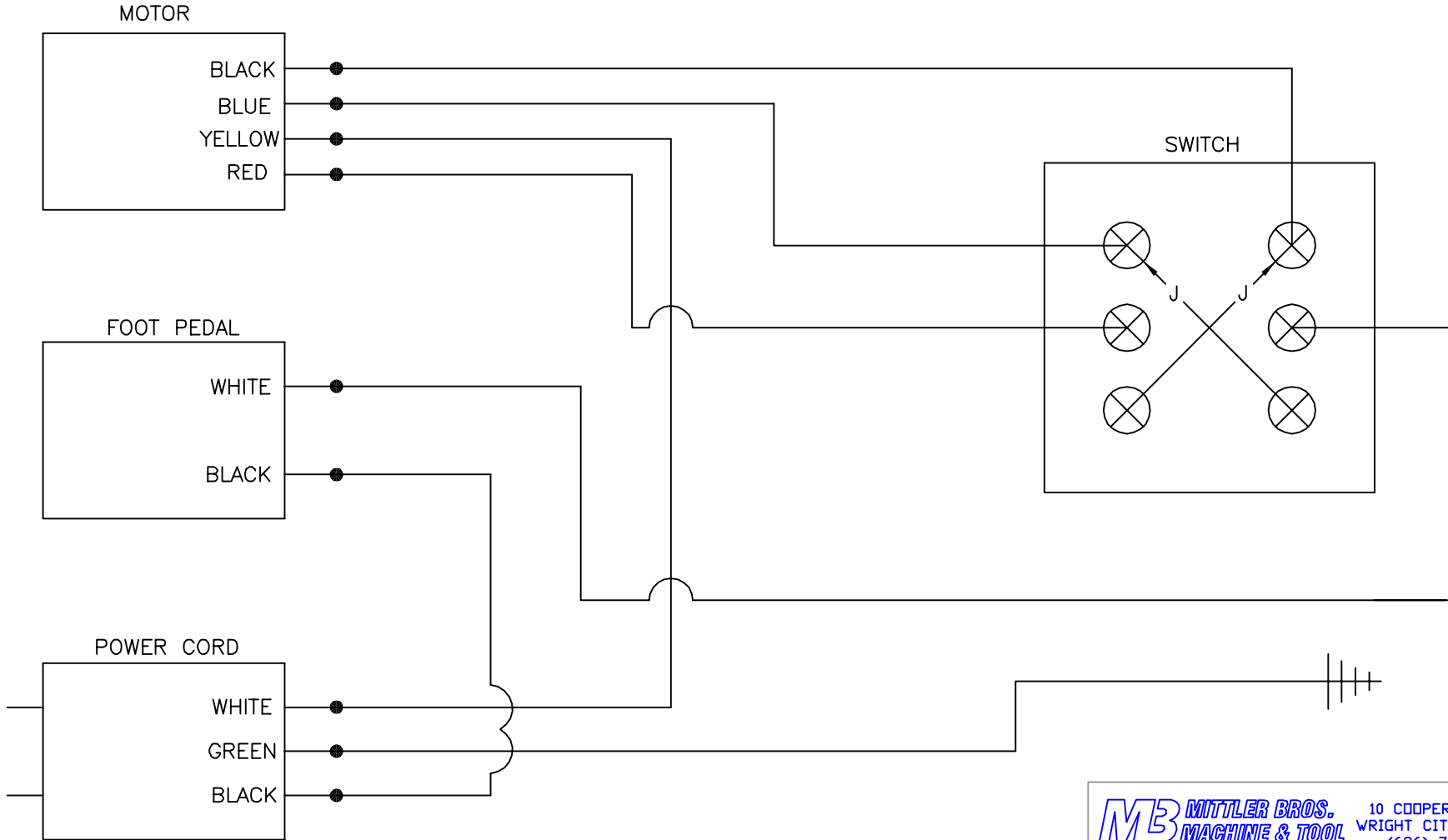


REVISION	DATE	BY	DESCRIPTION



MB MITTLER BROS. MACHINE & TOOL 10 COOPERATIVE WAY
 WRIGHT CITY, MD 63390
 (636) 745-7757

.X	= ± .015
.XX	= ± .010
.XXX	= ± .005
FRAC.	= ± .015

24" BEADROLLER (STANDARD)	
TITLE: ELETRICAL SCHEMATIC	
DATE: 1/5/96	DR. BY: TFD
SHEET SIZE: A	UNITS: INCHES
SCALE: NONE	NO. 200-035

NO. REQ'D:	MATL.
CNC PROG. NO.	HT.: