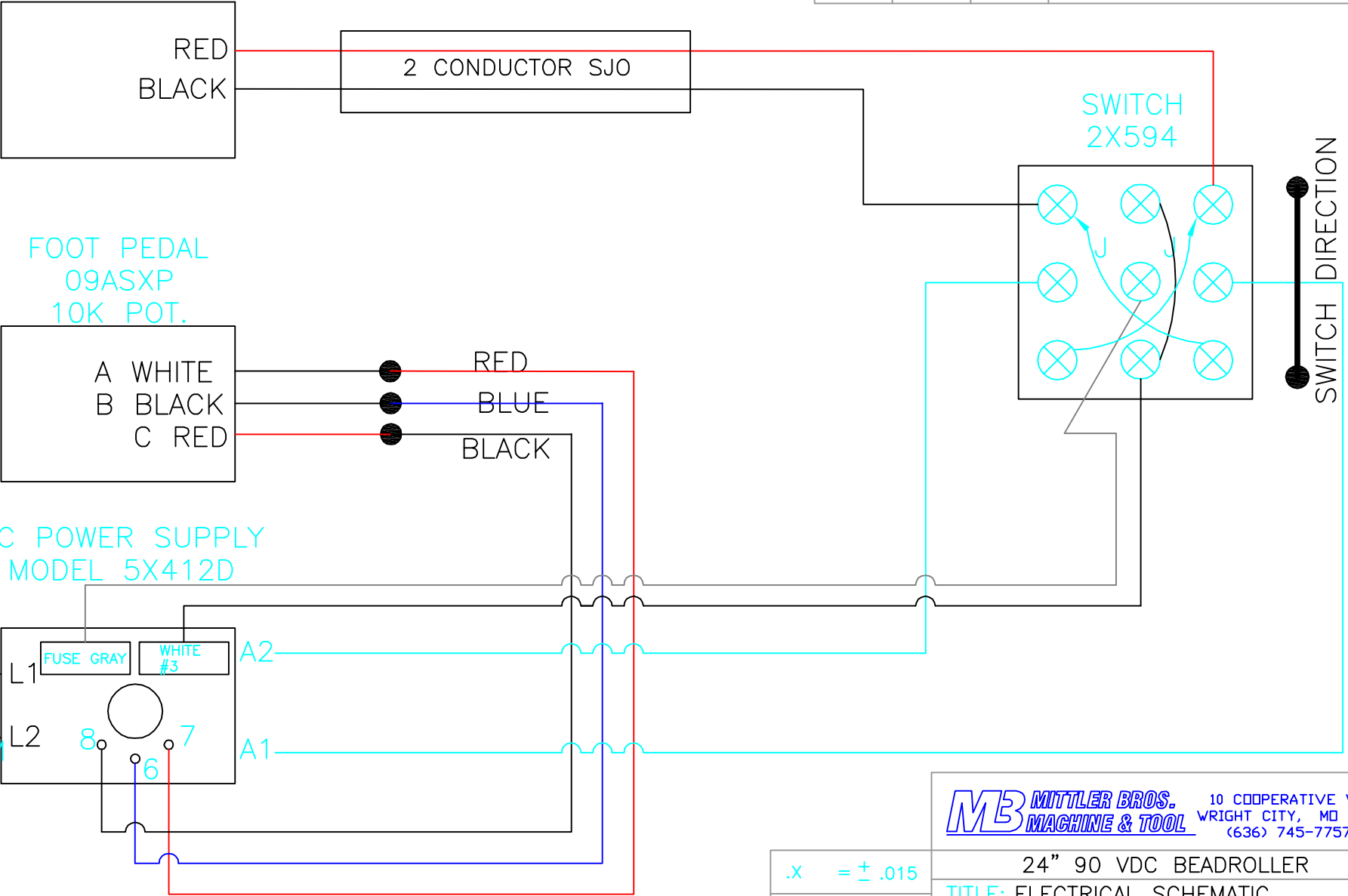


MOTOR  
4Z130A

REVISION	DATE	BY	DESCRIPTION
A	3/5/96	MTR	CHANGING IN WIRING
B	4/17/04	JEP	MODIFIED WIRE COLORS



NO. REQ'D:	MATL.
CNC PROG. NO.	HT.:

**MB MITTLER BROS. MACHINE & TOOL** 10 COOPERATIVE WAY  
WRIGHT CITY, MD 63390  
(636) 745-7757

.X = ± .015	24" 90 VDC BEADROLLER	
.XX = ± .010	TITLE: ELECTRICAL SCHEMATIC	
.XXX = ± .005	DATE: 1/5/96	DR. BY: MTR
FRAC. = ± .015	SHEET SIZE: A	UNITS: INCHES
	SCALE: NONE	NO. 200-043