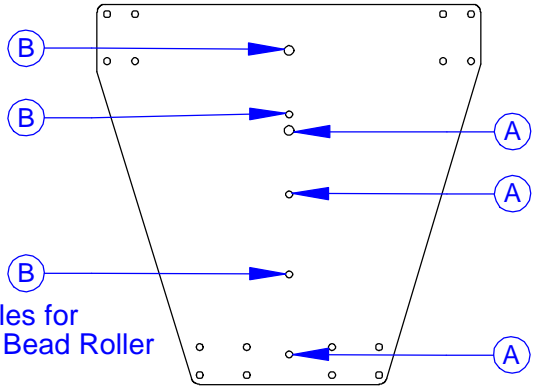


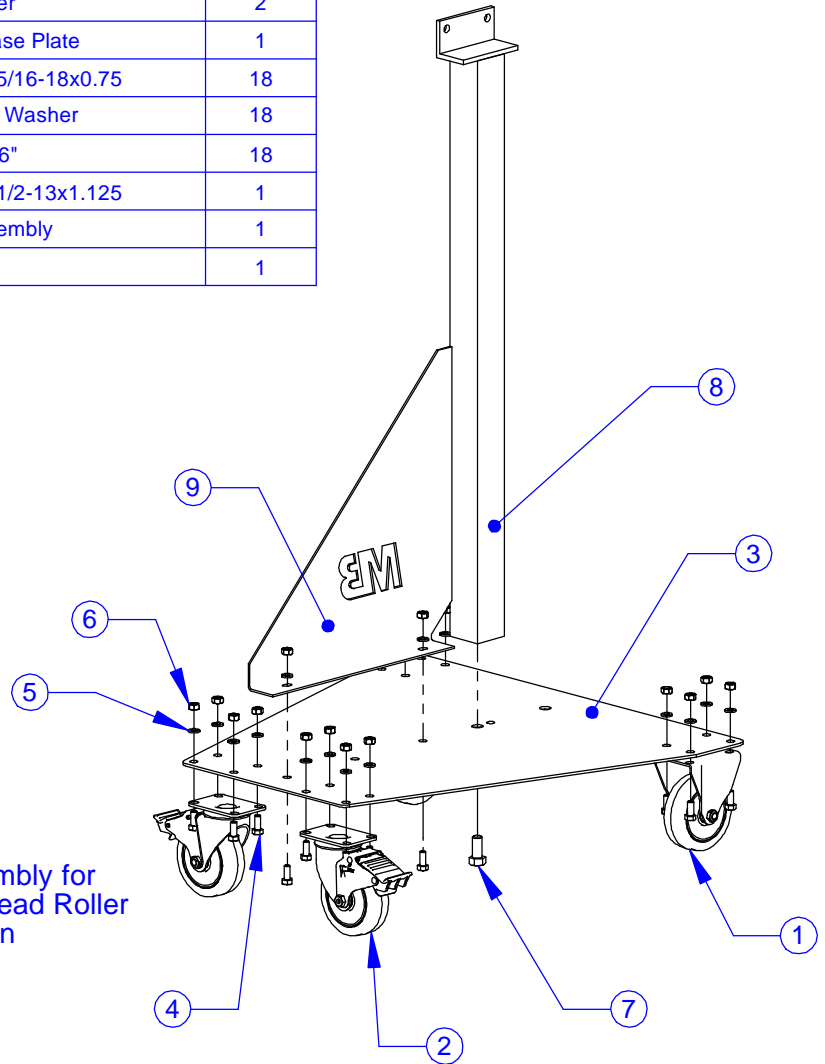
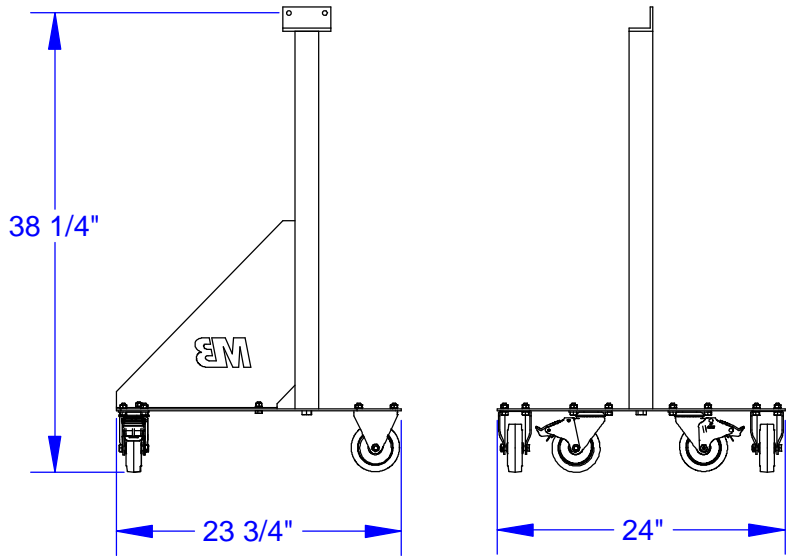
ITEM NO.	PART NUMBER	QTY.
1	Rigid Caster	2
2	Swivel Caster	2
3	200-150 Base Plate	1
4	HEX BOLT 5/16-18x0.75	18
5	Spring Lock Washer	18
6	Hex Nut 5/16"	18
7	HEX BOLT 1/2-13x1.125	1
8	Upright Assembly	1
9	Gusset	1



Use B Holes for
36" & 42" Bead Roller

Use A Holes for
24" Bead Roller
10" & 14" Rotary Machine

Stand Fits All Bead Rollers



Note:
Assembly for
24" Bead Roller
Shown

PROPRIETARY AND CONFIDENTIAL
THE INFORMATION CONTAINED IN THIS DRAWING IS THE SOLE PROPERTY OF MITTLER BROS. MACHINE & TOOL. ANY REPRODUCTION IN PART OR AS A WHOLE WITHOUT THE WRITTEN PERMISSION OF MITTLER BROS. MACHINE & TOOL IS PROHIBITED.

		UNLESS OTHERWISE SPECIFIED:		NAME	DATE
		DIMENSIONS ARE IN INCHES		DRAWN	BAB 11/23/11
		TOLERANCES:		CHECKED	
		FRACTIONAL ±.015		ENG APPR.	
		ONE PLACE DECIMAL ±.015		MFG APPR.	
		TWO PLACE DECIMAL ±.010		Q.A.	
		THREE PLACE DECIMAL ±.005		COMMENTS	
		ANGULAR ±1°			
		QUANTITY			
		MATERIAL			
		yyyy			
		FINISH			
NEXT ASSY	USED ON				
APPLICATION		DO NOT SCALE DRAWING			

MB MITTLER BROS. MACHINE & TOOL		
10 Cooperative Way, Wright City, MO. 63390 (636)745-7757 Fax (636)745-2874		
TITLE: Rolling Stand		
SIZE	DWG. NO.	REV
A	200-150	
SCALE: 1:10	WEIGHT: 33.578	SHEET 2 OF 2

5

4

3

2

1