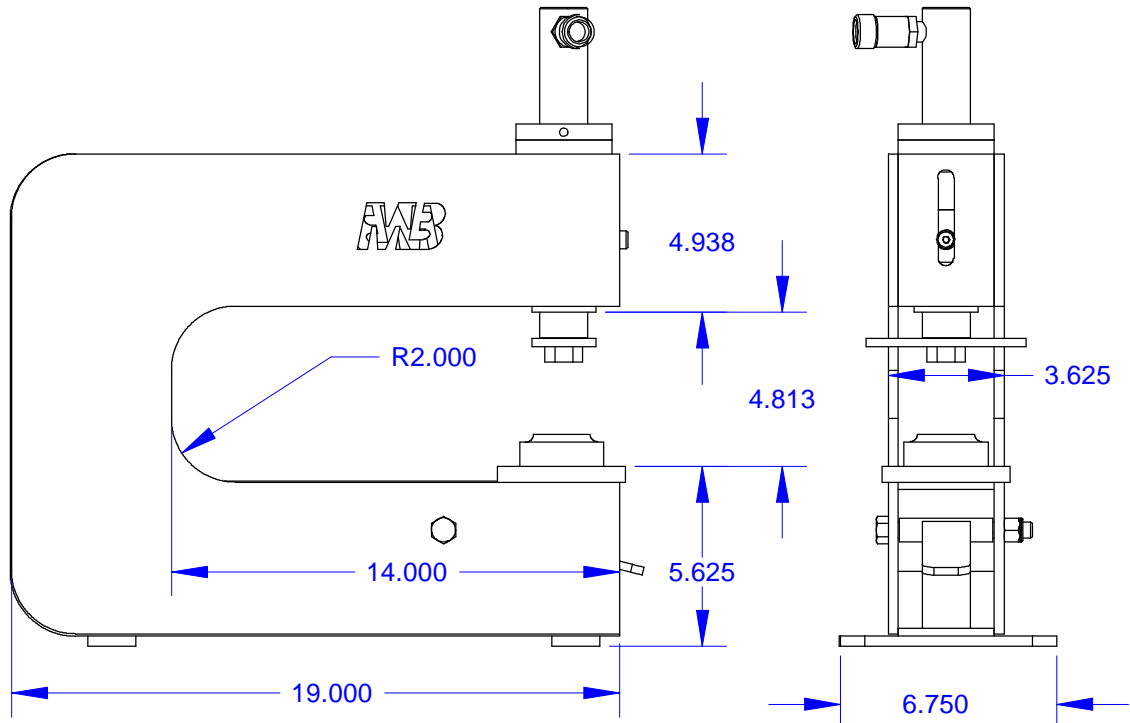
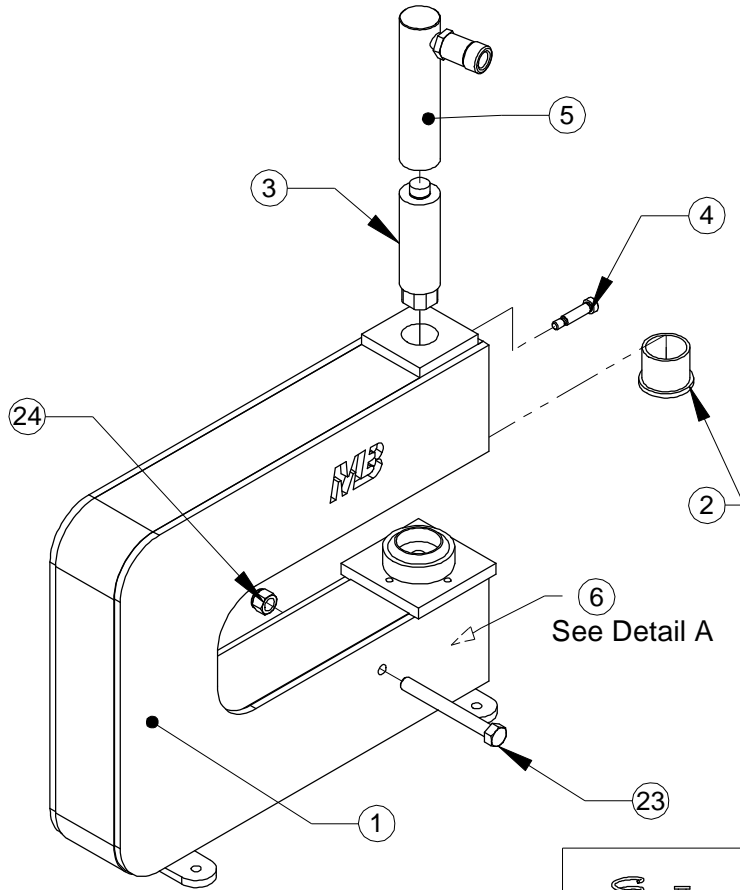
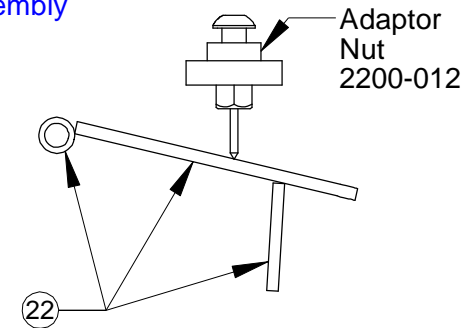


ITEM NO.	PART NUMBER	DESCRIPTION	QTY.
1	2200-H	HD Hyd. Press Frame	1
2	2200-501	1-1/2" Bronze Bearing	1
3	2200-H02	Hydraulic Shaft	1
4	2200-527	SHSS 3/8 x 1-1/4"	1
5	2200-510	5 Ton 3-1/4 Stroke Hydraulic Piston	1
6	2200-015A	Scrap Ejector Assembly	1

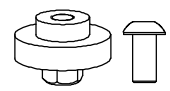
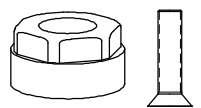
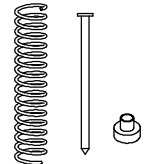


Detail A  
Scrap Ejector Assembly

ITEM NO.	PART NUMBER	DESCRIPTION	QTY.
20	1/2-20 x 1"	SBHCS Drilled Thru	1
21	Ejector Pin	Ejector Pin	1
22	2200-015	Ejector Lever	1
23	1/2-13 x 4-1/2"	HHCS	1
24	1/2-13	Nylock Half Nut	1



Included



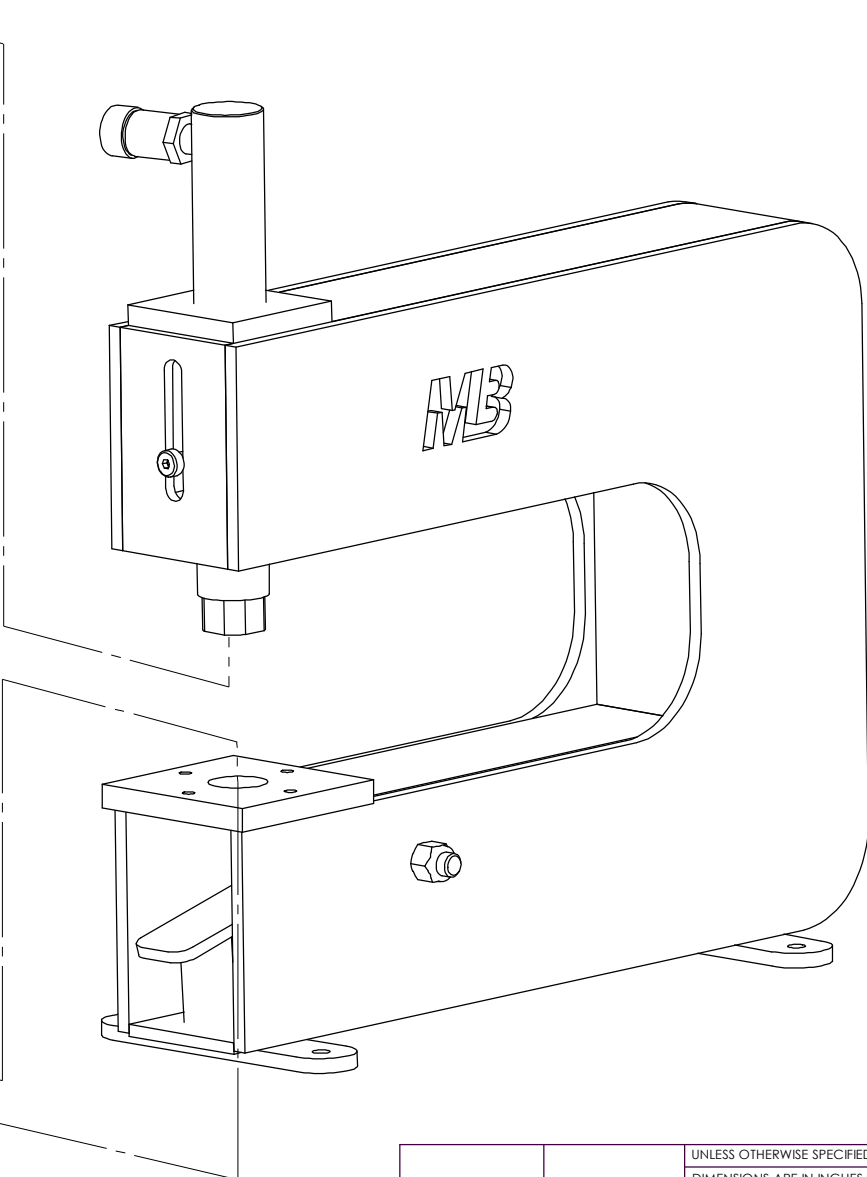
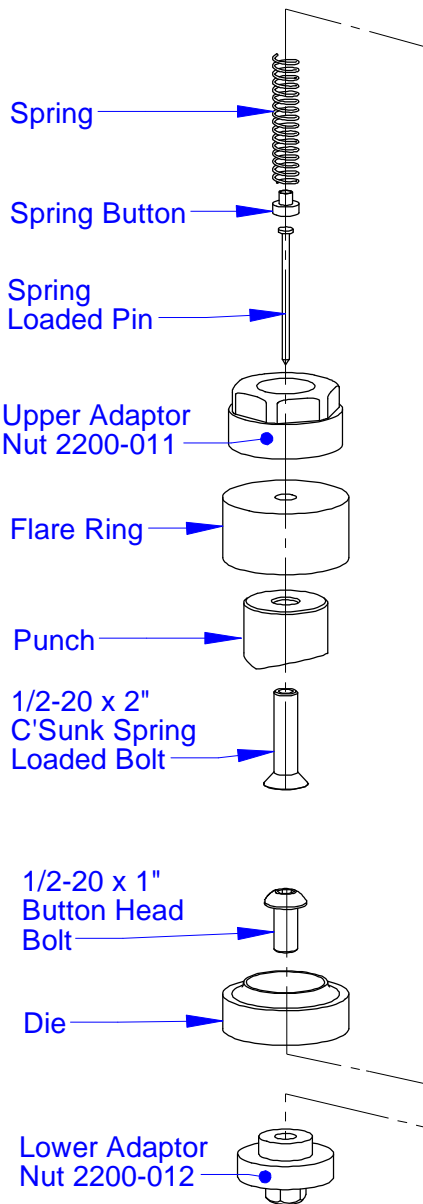
**PROPRIETARY AND CONFIDENTIAL**  
THE INFORMATION CONTAINED IN THIS DRAWING IS THE SOLE PROPERTY OF MITTLER BROS. MACHINE & TOOL. ANY REPRODUCTION IN PART OR AS A WHOLE WITHOUT THE WRITTEN PERMISSION OF MITTLER BROS. MACHINE & TOOL IS PROHIBITED.

6/17/2010		UNLESS OTHERWISE SPECIFIED:		NAME	DATE
5/18/2011		DIMENSIONS ARE IN INCHES	DRAWN	RAJ	07/18/08
		TOLERANCES:	CHECKED		
		FRACTIONAL ±.015	ENG APPR.		
		ONE PLACE DECIMAL ±.015	MFG APPR.		
		TWO PLACE DECIMAL ±.010	Q.A.		
		THREE PLACE DECIMAL ±.005	COMMENTS		
		ANGULAR ±1°			
		QUANTITY			
		MATERIAL			
		FINISH			
NEXT ASSY	USED ON				
APPLICATION		DO NOT SCALE DRAWING			

**M3 MITTLER BROS. MACHINE & TOOL**  
10 Cooperative Way, Wright City, MO. 63390  
(636)745-7757 Fax (636)745-2874

TITLE:  
Hydraulic Bench Press Assembly

SIZE	DWG. NO.	REV
<b>A</b>	2200-H	A
SCALE: 1:6	WEIGHT: 66.577	SHEET 1 OF 2



**ASSEMBLY:**

- Remove 1/2" - 20 Bolt and Bearing from Punch & Flare Tool - set bolt / bearing aside.
- Install Button Head Bolt through Female Die.
- Install Lower Adaptor Nut #2200-012 through hole in Lower Platen Tooling Plate
- Thread Button Head Bolt into Lower Adaptor Nut - **DO NOT Tighten.**
- Install Ejector Pin through Button Head Bolt - See Drawing
- Install 1/2"-20 Countersunk Bolt through Punch and Male Flare Ring.
- Install and Tighten 1/2"-20 Bolt into Upper Adaptor Nut #2200-011.
- Install Spring Load Pin through center of Bolt - See Drawing.
- Place a dab of grease on bottom of Spring Button to assist in Spring Button to Spring Loaded Pin Alignment.
- Place Spring Button on Bolt head.
- Install Spring over tab on Spring Button.
- Carefully Install Spring Loaded Assembly into Upper Ram Cavity while Threading Upper Adaptor Nut onto Ram.
- Tighten Upper Adaptor Nut using Wrench #2200-034.
- Lower Upper Ram / Punch / Male Flare Ring Assembly.
- Align Female Die with Punch by moving Female Die.
- Lower Assembly onto Lower Tooling Plate.
- Tighten Lower Adaptor Nut using Wrench #2200-034.

**PROPRIETARY AND CONFIDENTIAL**  
 THE INFORMATION CONTAINED IN THIS DRAWING IS THE SOLE PROPERTY OF MITTLER BROS. MACHINE & TOOL. ANY REPRODUCTION IN PART OR AS A WHOLE WITHOUT THE WRITTEN PERMISSION OF MITTLER BROS. MACHINE & TOOL IS PROHIBITED.

		UNLESS OTHERWISE SPECIFIED:		NAME	DATE	 <b>MITTLER BROS. MACHINE &amp; TOOL</b> 10 Cooperative Way, Wright City, MO. 63390 (636)745-7757 Fax (636)745-2874	
		DIMENSIONS ARE IN INCHES		DRAWN	BAB		6/1/11
		TOLERANCES:		CHECKED			
		FRACTIONAL ±.015		ENG APPR.			
		ONE PLACE DECIMAL ±.015		MFG APPR.			
		TWO PLACE DECIMAL ±.010		Q.A.			
		THREE PLACE DECIMAL ±.005		COMMENTS			
		ANGULAR ±1°					
		QUANTITY				TITLE:	
		MATERIAL				Punch & Flare Assembly	
		FINISH				SIZE DWG. NO. REV	
NEXT ASSY	USED ON					<b>A</b> 2200-H	
APPLICATION		DO NOT SCALE DRAWING				SCALE: 1:4 WEIGHT: 66.577 SHEET 2 OF 2	

5

4

3

2

1