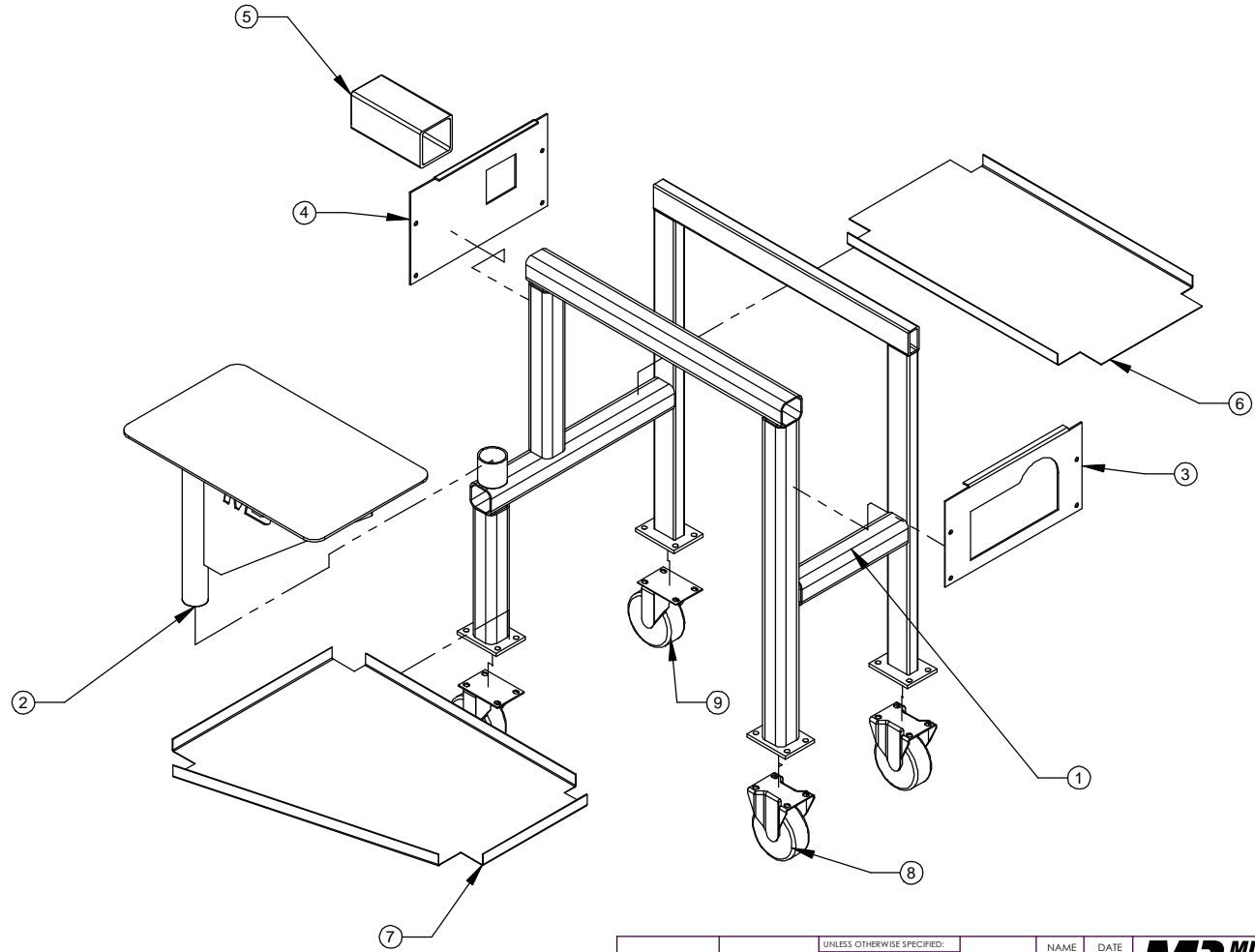


ITEM NO.	PART NUMBER	DESCRIPTION	QTY.
1	2500-136	180 Bender Stand	1
2	2500-400 Rev A	Follow Bar Table	1
3	2500-122	Hyd. Cyl./Dig. Scale Plate	1
4	2500-205	Rack Plate	1
5	2500-141	Rack Guard	1
6	2500-139	Stand -- Middle Tray	1
7	2500-138	Bottom Tray	1
8	760-2-04208-445	Rigid Caster	2
9	760-2-04256-445BRK4	Swivel Caster	2



PROPRIETARY AND CONFIDENTIAL
 THE INFORMATION CONTAINED IN THIS
 DRAWING IS THE SOLE PROPERTY OF
 MITTLER BROS. MACHINE & TOOL. ANY
 REPRODUCTION IN PART OR AS A WHOLE
 WITHOUT THE WRITTEN PERMISSION OF
 MITTLER BROS. MACHINE & TOOL IS
 PROHIBITED.

		UNLESS OTHERWISE SPECIFIED:		NAME	DATE
		DIMENSIONS ARE IN INCHES		RKH	5/15/08
		TOLERANCES:			
		FRACTIONAL ±.015		DRAWN	
		ONE PLACE DECIMAL ±.015		CHECKED	
		TWO PLACE DECIMAL ±.010		ENG APPR.	
		THREE PLACE DECIMAL ±.005		MFG APPR.	
		ANGULAR ± 1°		Q.A.	
		QUANTITY	1		
		MATERIAL	Yyyy	FINISH	
				LENGTH	
NEXT ASSY	USED ON	FINISH		COMMENTS	
APPLICATION		DO NOT SCALE DRAWING			
				TITLE:	
				Stand Assembly	
SIZE	DWG. NO.			REV	
B	2500-020 Assem				
SCALE: 1:8		WEIGHT: 89.980	SHEET 1 OF 1		