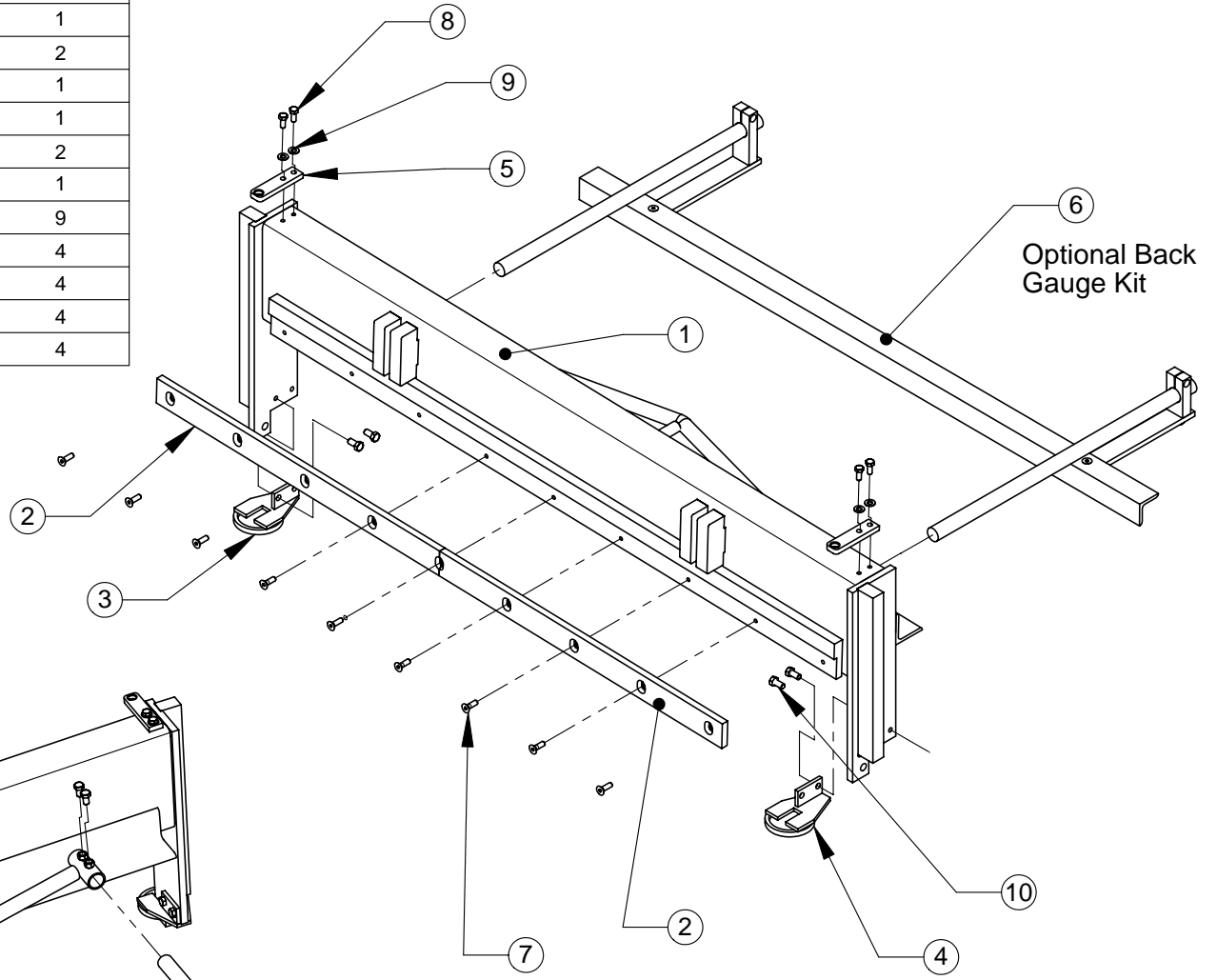
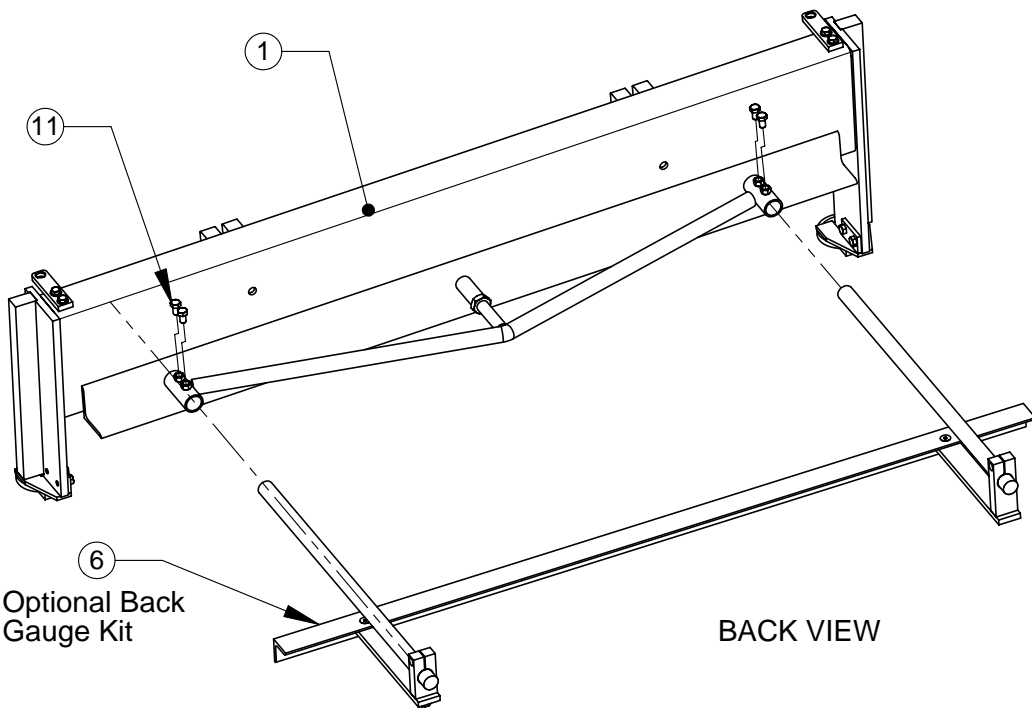


ITEM NO.	PART NUMBER	DESCRIPTION	QTY
1	3000-010	Upper Blade Holder Assembly	1
2	3000-019	Shear Blade	2
3	3000-017	Spring Cap Assembly, Left	1
4	3000-018	Spring Cap Assembly, Right	1
5	3000-016	Hold-Down Guide Rod Retainer	2
6	3000-52-200	Back Gauge Kit - Optional	1
7	5/16-18 x 1"	FHCS	9
8	5/16 x 3/4"	Hex Machine Bolt	4
9	5/16"	SAE Flat Washer	4
10	3/8 x 3/4"	Hex Machine Bolt	4
11	3/8 x 3/4"	HHCS	4



FRONT VIEW



BACK VIEW

**MB MITTLER BROS.  
MACHINE & TOOL**  
10 Cooperative Way, Wright City, MO. 63390  
(636)745-7757 Fax (636)745-2874

TITLE: Upper Blade Holder		
SIZE <b>A</b>	DWG. NO. 3000-010-A	REV
SCALE: 1:12	WEIGHT:	SHEET 1

REV 3/11/2010

5

4

3

2

1