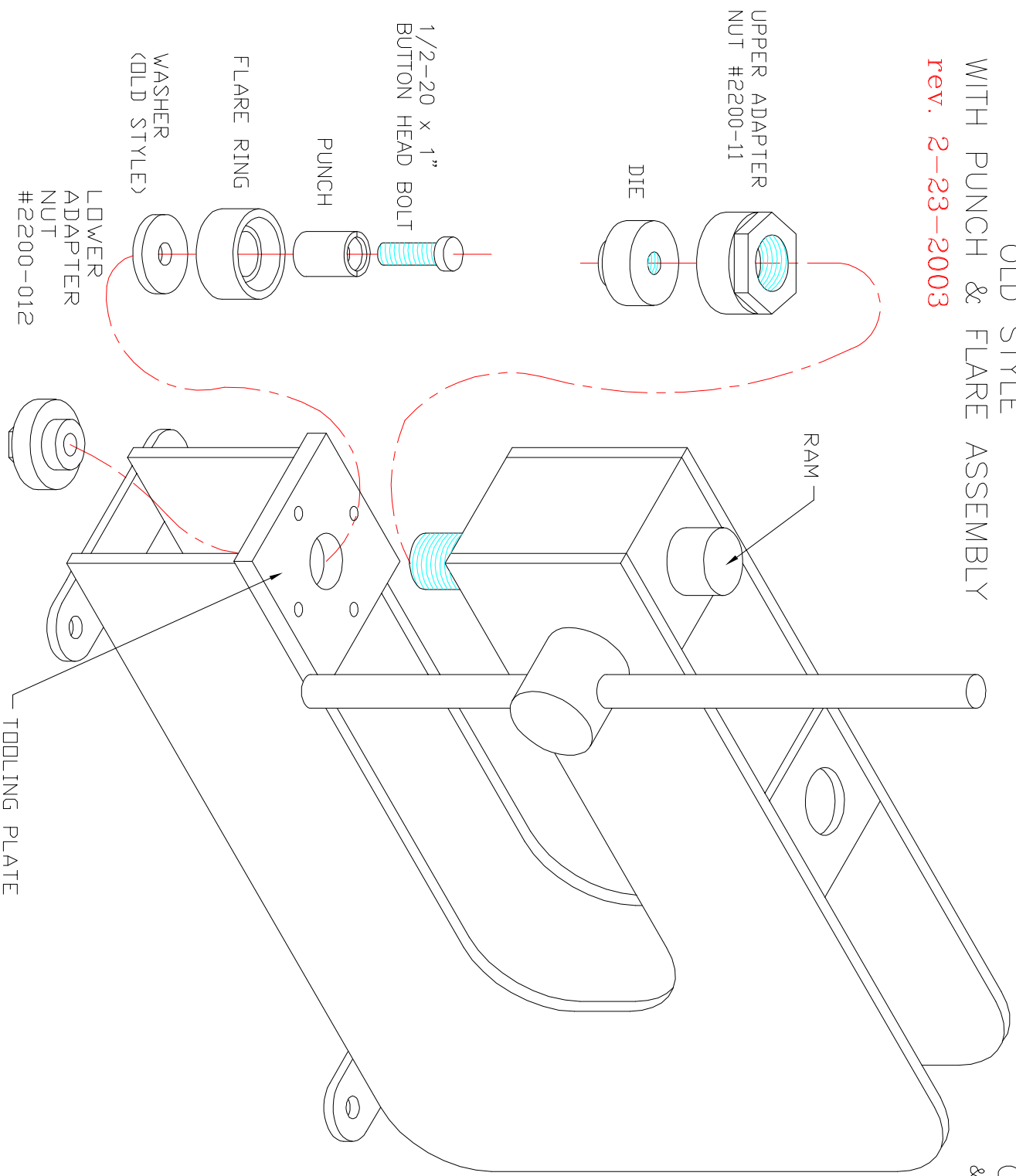


PRESS
 OLD STYLE
 WITH PUNCH & FLARE ASSEMBLY
 rev. 2-23-2003

MAXIMUM
 CAPACITY Ø3 PUNCH
 & FLARE 16 GAGE STEEL



SAFETY!
 GOOD JUDGMENT AND A SAFE ATTITUDE SHOULD BE APPLIED AT ALL TIMES
 * KEEP ALL BODY PARTS AND FOREIGN OBJECTS OUT OF PUNCH AND RAM AREA, WHILE IN OPERATION.
 * ALWAYS WEAR SAFETY GLASS WHILE OPERATING MACHINE.
 * DO NOT OPERATE UNDER THE INFLUENCE OF DRUGS & ALCOHOL.

NEW STYLE PUNCH & FLARES HAVE TAP ON FEMALE END (FLARE RING) IF CUSTOMER HAS OLD & NEW STYLE PUNCH & FLARE & PRESS WITH OLD STYLE. THEN THEY NEED:
 1) NEW UPPER ADAPTER NUT #2200-011
 2) NEW 1/2-20 x 2" C' SUNK BOLT
 3) NEW 1/2-20 x 1" BUTTON HEAD BOLT.
 \$25.00 FOR ALL 3 ITEMS.
 ADAPTS NEW STYLE PUNCHES TO PRESS.

THANK YOU FOR PURCHASING MITTLER BROS. EQUIPMENT