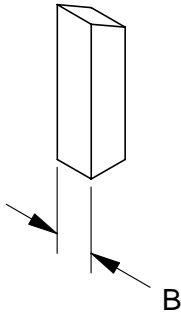


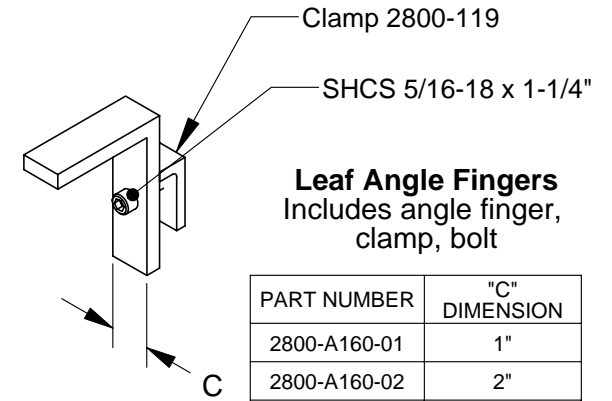
Pinch Finger
Includes finger, clamp, bolt

PART NUMBER	"A" DIMENSION
2800-A250-01	1"
2800-A250-02	2"
2800-A250-03	3"
2800-A250-06	6"



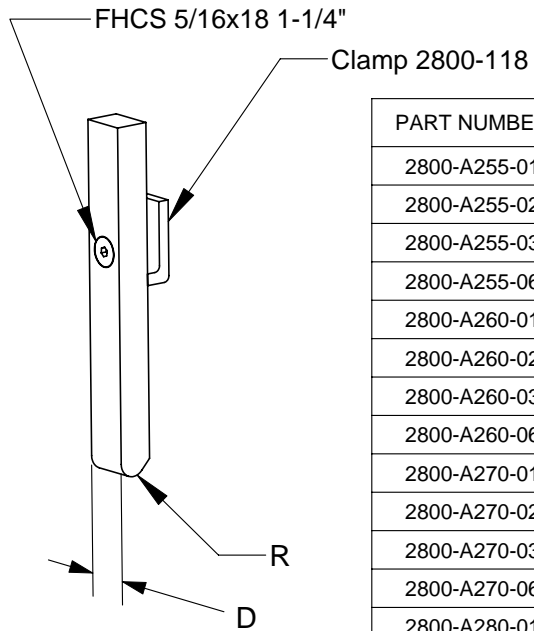
Bed Finger

PART NUMBER	"B" DIMENSION
2800-050-01	1"
2800-050-02	2"
2800-050-03	3"
2800-050-06	6"
2800-050-12	12"



Leaf Angle Fingers
Includes angle finger, clamp, bolt

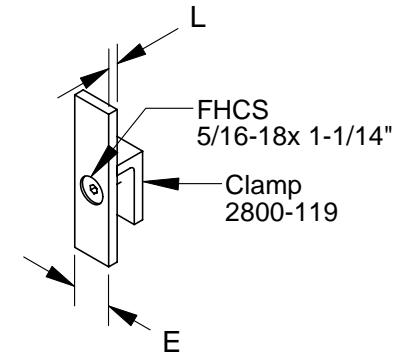
PART NUMBER	"C" DIMENSION
2800-A160-01	1"
2800-A160-02	2"
2800-A160-03	3"
2800-A160-06	6"
2800-A160-12	12"
2800-A160-24	24"



Radius Pinch Finger
Includes radius finger, clamp, bolt

PART NUMBER	"R" RADIUS	"D" DIMENSION
2800-A255-01	1/16"	1"
2800-A255-02	1/16"	2"
2800-A255-03	1/16"	3"
2800-A255-06	1/16"	6"
2800-A260-01	1/8"	1"
2800-A260-02	1/8"	2"
2800-A260-03	1/8"	3"
2800-A260-06	1/8"	6"
2800-A270-01	3/16"	1"
2800-A270-02	3/16"	2"
2800-A270-03	3/16"	3"
2800-A270-06	3/16"	6"
2800-A280-01	1/4"	1"
2800-A280-02	1/4"	2"
2800-A280-03	1/4"	3"
2800-A280-06	1/4"	6"
2800-A290-01	5/16"	1"
2800-A290-02	5/16"	2"
2800-A290-03	5/16"	3"
2800-A290-06	5/16"	6"

PART NUMBER	"L" LEAF SIZE	"E" DIMENSION
2800-A151-01	1/4"	1"
2800-A151-02	1/4"	2"
2800-A151-03	1/4"	3"
2800-A151-06	1/4"	6"
2800-A150-01	1/2"	1"
2800-A150-02	1/2"	2"
2800-A150-03	1/2"	3"
2800-A150-06	1/2"	6"
2800-A150-12	1/2"	12"
2800-A150-24	1/2"	24"
2800-A170-01	1"	1"
2800-A170-02	1"	2"
2800-A170-03	1"	3"
2800-A170-06	1"	6"
2800-A170-12	1"	12"
2800-A170-24	1"	24"



Leaf Finger
Includes leaf finger, clamp, bolt

4/1/2010

PROPRIETARY AND CONFIDENTIAL
THE INFORMATION CONTAINED IN THIS DRAWING IS THE SOLE PROPERTY OF MITTLER BROS. MACHINE & TOOL. ANY REPRODUCTION IN PART OR AS A WHOLE WITHOUT THE WRITTEN PERMISSION OF MITTLER BROS. MACHINE & TOOL IS PROHIBITED.

MB MITTLER BROS. MACHINE & TOOL
10 Cooperative Way, Wright City, MO. 63390
(636)745-7757 Fax (636)745-2874

TITLE: Finger Assemblies

SIZE A	DWG. NO. Finger Assemblies	REV
------------------	-------------------------------	-----

SCALE: 1:4 WEIGHT: 1.189 SHEET 1 OF 1