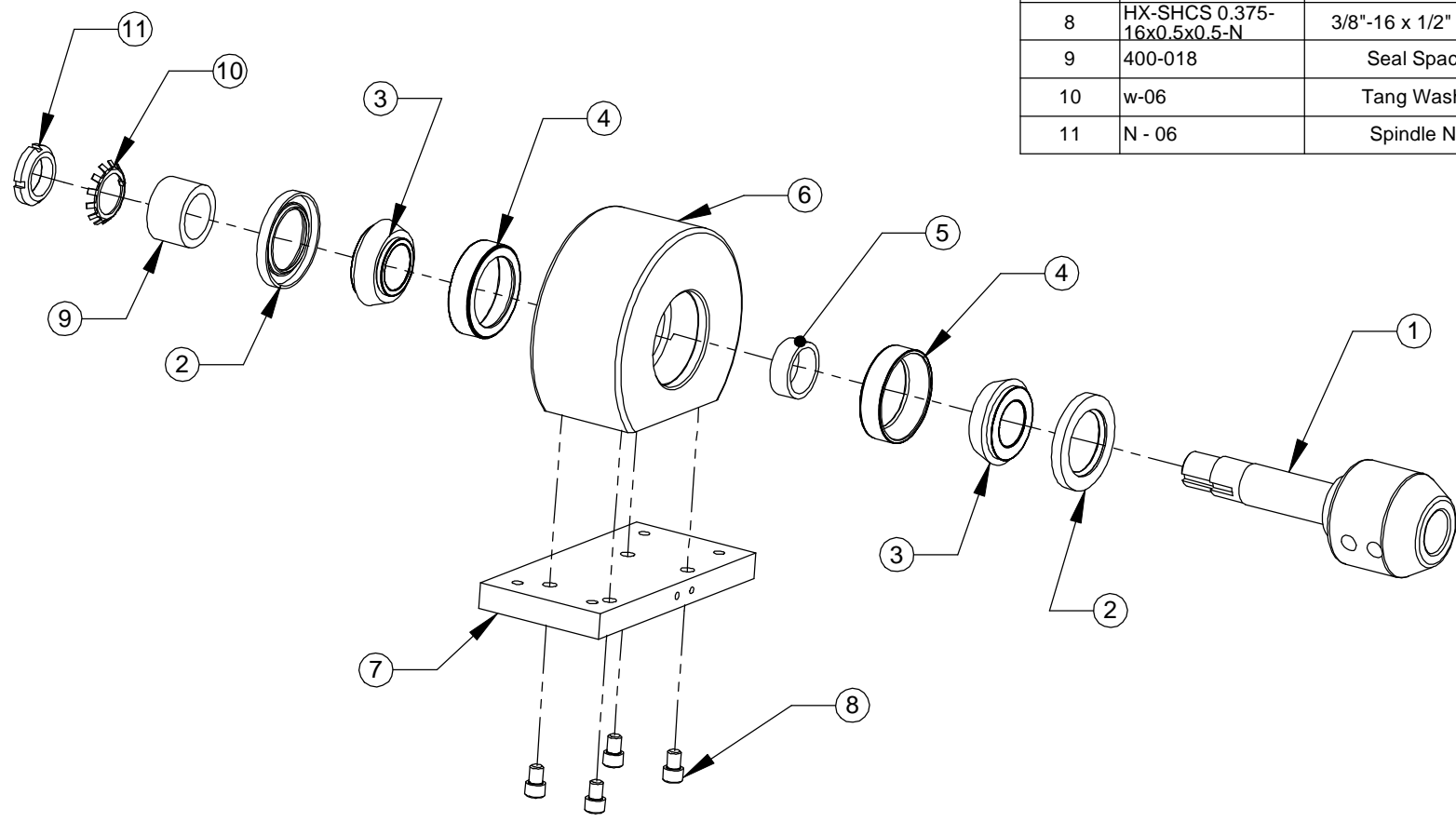


| ITEM NO. | PART NUMBER | DESCRIPTION | QTY. | PRICE |
|----------|----------------------------|---------------------|------|-------|
| 1 | 400-002 | Spindle | 1 | |
| 2 | 400-552 | Seal | 2 | |
| 3 | 400-550 | Timken Bearing | 2 | |
| 4 | 400-551 | Inner Race | 2 | |
| 5 | 400-017 | Bearing Spacer | 1 | |
| 6 | 400-008 | Spindle Housing | 1 | |
| 7 | 400-007 | Adapter Plate | 1 | |
| 8 | HX-SHCS 0.375-16x0.5x0.5-N | 3/8"-16 x 1/2" SHCS | 4 | |
| 9 | 400-018 | Seal Spacer | 1 | |
| 10 | w-06 | Tang Washer | 1 | |
| 11 | N - 06 | Spindle Nut | 1 | |



PROPRIETARY AND CONFIDENTIAL
 THE INFORMATION CONTAINED IN THIS DRAWING IS THE SOLE PROPERTY OF MITTLER BROS. MACHINE & TOOL. ANY REPRODUCTION IN PART OR AS A WHOLE WITHOUT THE WRITTEN PERMISSION OF MITTLER BROS. MACHINE & TOOL IS PROHIBITED.

| | | | | | | | |
|-------------|---------|-----------------------------|--|-----------|------|---|----------|
| | | UNLESS OTHERWISE SPECIFIED: | | NAME | DATE | M3 MITTLER BROS. MACHINE & TOOL 10 Cooperative Way, Wright City, MO. 63390 (636)745-7757 Fax (636)745-2874 | |
| | | DIMENSIONS ARE IN INCHES | | DRAWN | RAJ | | 06/25/08 |
| | | TOLERANCES: | | CHECKED | | | |
| | | FRACTIONAL ±.015 | | ENG APPR. | | | |
| | | ONE PLACE DECIMAL ±.010 | | MFG APPR. | | | |
| | | TWO PLACE DECIMAL ±.010 | | Q.A. | | | |
| | | THREE PLACE DECIMAL ±.005 | | COMMENTS | | | |
| | | ANGULAR ±1° | | | | | |
| | | QUANTITY | | | | TITLE: | |
| | | MATERIAL | | | | Spindle Assembly | |
| | | FINISH | | | | SIZE DWG. NO. REV | |
| NEXT ASSY | USED ON | | | | | A 400-A04 | |
| APPLICATION | | DO NOT SCALE DRAWING | | | | SCALE: 1:5 WEIGHT: 28.081 SHEET 1 OF 1 | |

5

4

3

2

1